

DH-IPC-HFW4421E

4MP HD WDR Network Small IR Bullet Camera



Features

- 1/3" 4Megapixel progressive scan CMOS
- Support H.264&MJPEG dual codec
- Max 20fps@4M(2688×1520) & 25/30fps@3M(2304×1296)
- Smart Detection supported
- WDR(120dB), Day/Night(ICR), 3DNR, AWB, AGC, BLC
- Multiple network monitoring: Web viewer, CMS(DSS/PSS) & DMSS
- 3.6mm fixed lens (6mm optional)
- Max. IR LEDs Length 40m
- IP67, PoE

DH-IPC-HFW4421E

Technical Specifications

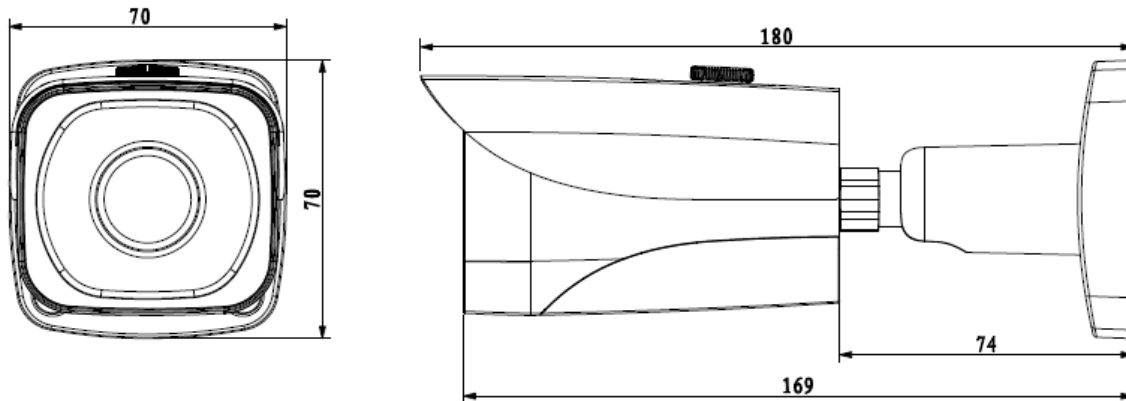
Model	DH-IPC-HFW4421E	
Camera		
Image Sensor	1/3" 4Megapixel progressive scan CMOS	
Effective Pixels	2688(H)x1520(V)	
Scanning System	Progressive	
Electronic Shutter Speed	Auto/Manual, 1/3(4)~1/100000s	
Min. Illumination	0.01Lux/F2.0 (Color), 0Lux/F2.0(IR on)	
S/N Ratio	More than 50dB	
Video Output	N/A	
Camera Features		
Max. IR LEDs Length	40m	
Day/Night	Auto(ICR)/Color/B/W	
Backlight Compensation	BLC / HLC / WDR(120dB)	
White Balance	Auto/Sunny/Night/Outdoor/Customized	
Gain Control	Auto/Manual	
Noise Reduction	3D	
Privacy Masking	Up to 4 areas	
Lens		
Focal Length	3.6mm (6mm optional)	
Max Aperture	F2.1(F2.0)	
Focus Control	Manual	
Angle of View	H:84°(56°)	
Lens Type	Fixed lens	
Mount Type	Board-in Type	
Video		
Compression	H.264/H.264H/H.264B/MJPEG	
Resolution	4M(2560×1440)/3M(2304×1296)/1080P(1920×1080)720P(1280×720) /D1(704×576/704×480) / CIF(352×288/352×240)	
Frame Rate	Main Stream	4M(1~20fps)/3M(1~25/30fps)
	Sub Stream	D1/CIF(1~25/30fps)
	Third Stream	720P(1-20fps)
Bit Rate	H.264: 32Kbps~10Mbps	
Corridor Mode	Support	
Audio		
Compression	N/A	
Interface	N/A	
Smart Function		
Smart detection	Tripwire	
	Intrusion	
	Abandoned/Missing	
	Scene Change	
	Audio detect	

DH-IPC-HFW4421E




	Face detect
Network	
Ethernet	RJ-45 (10/100Base-T)
Wi-Fi	N/A
Protocol	IPv4/IPv6, HTTP, HTTPS, SSL, TCP/IP, UDP, UPnP, ICMP, IGMP, SNMP, RTSP, RTP, SMTP, NTP, DHCP, DNS, PPPOE, DDNS, FTP, IP Filter, QoS, Bonjour, 802.1x
Compatibility	ONVIF, PSIA, CGI
Max. User Access	20 users
Smart Phone	iPhone, iPad, Android, Windows Phone
Auxiliary Interface	
Memory Slot	N/A
RS485	N/A
Alarm	N/A
PIR Sensor Range	N/A
General	
Power Supply	DC12V, PoE (802.3af)
Power Consumption	< 6W
Working Environment	-30°C~+60°C, Less than 95% RH
Ingress Protection	IP67
Vandal Resistance	N/A
Dimensions	70mm×70mm×180mm
Weight	0.4kg(0.528kg with packaging)

DH-IPC-HFW4421E

Dimensions (mm)



Accessories (optional)

PFA121	PFA151	PFA152
		

Dahua Technology Co., Ltd.

1199 BinAn Road, Binjiang District, Hangzhou, China

Tel: +86-571-87688883

Fax: +86-571-87688815

Email: overseas@dahuatech.com

www.dahuasecurity.com

*Design and specifications are subject to change without notice.

© 2015 Dahua Technology Co., Ltd.